

MULRX

The Multi-Output Receiver

This receiver is ideal for mimic panels and multi panic displays. With 27 individual relays and one master relay almost any combination of outputs can be displayed. With the ability to latch or pulse these outputs even multi zone alarm panels can now have wireless input activation points. Designed to fit into one of our standard display boxes with its 7 amp back up battery and charger to produce a complete custom mimic panel control unit.

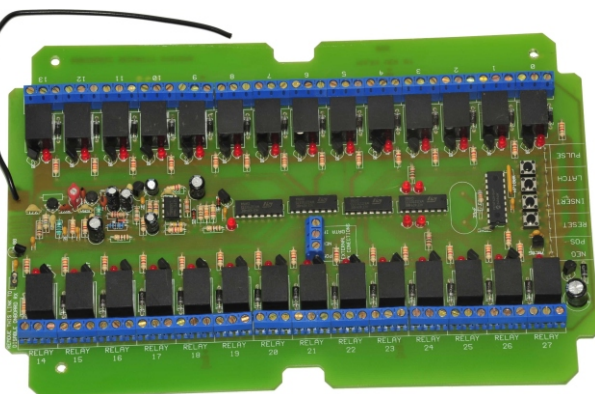
Features:

27 potential free relay outputs

1 potential free master relay

Latched or pulsed operation

On board receiver



MULRX

The Multi-Output Receiver

Dimensions:

Length: 24cm

Width: 16cm

Depth: 9cm

Specifications:

TOTAL CURRENT CONSUMPTION:

8 mA + 40mA/relay

STANDBY CURRENT CONSUMPTION:

8 mA

SENSITIVITY:

1 μ V

SUPPLY VOLTAGE:

12V DC

RELAY CONTACTS:

2amp

50V

CODING SEQUENCE:

Trinary



Tel: +27 (0)11 396 2720 / 0861 BARTRON

Fax: +27(0)11 396 2727

Web: www.bartronics.co.za

38 Pomona Road, Pomona Estates, Kempton Park

GPS Co-ordinates: S 26 05.362 E 28 16.407

P.O. Box 12188

Aston Manor

1630

South Africa